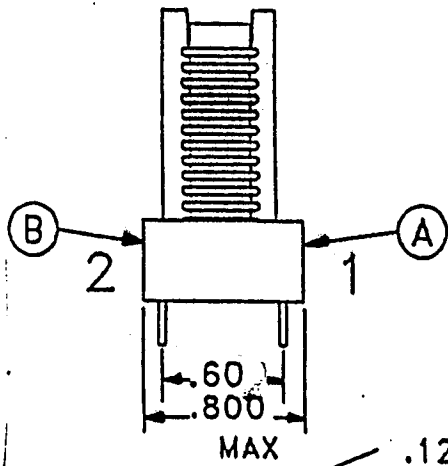
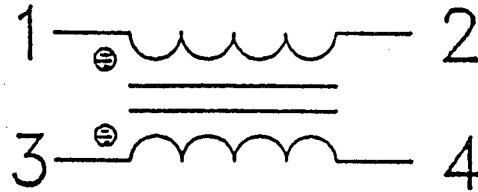


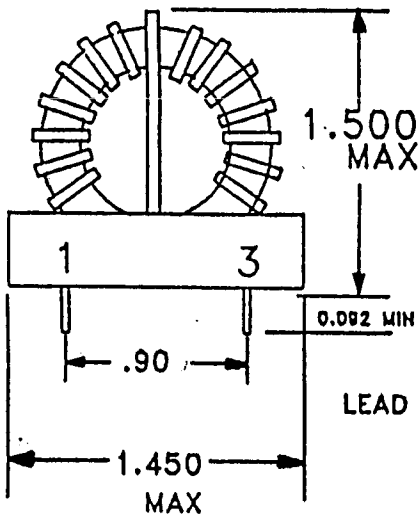
DWG NO. CMT908-V3



SCHEMATIC



.120 MIN SPACING BETWEEN WINDINGS



B 4 MagneTek 2
MARKING DETAIL

A CMT908-V3
1. XXXX XX 3.
DATE CODE MARKING DETAIL
TWO DIGIT VENDOR IDENTIFICATION CODE TO BE ASSIGNED AFTER VENDOR APPROVAL.

DC RESISTANCE IN OHMS	1 TO 2 .120 MAX
	3 TO 4 .120 MAX
POLARITY MUST BE CORRECT	
APPLY = .1V @ 10 KHZ	
INDUCTANCE = 1 TO 2 8.00 mHYS MIN	
IND 1-2 ≈ 3-4 WITHIN .16 mHY	
LEAKAGE INDUCTANCE = 90.0 uHYS	
= 450 uHY 1-3 WITH 2&4 SHORTED	
HIPOT = 2850 V FOR 1 SEC MIN	
WDG TO WDG	
CONTINUITY =	
IMPREGNATION NOTES =	
PINS TO BE FREE OF DEBRIS TO MTO SURFACE MIN	

REV	CHANGE	DATE
A	RELEASED XOP	4-23-92
B	ELN G7593 HA	5-17-91
C	ELN G7251 HA	10-9-91

UNLESS OTHERWISE SPECIFIED DIMENSIONS ARE IN INCHES:
TOLERANCES:
X/X = ± 1/64 .XX = ± .01
.XXX = ± .005 4 = ± 0° 30'
THIS DRAWING CONTAINS INFORMATION PROPRIETARY TO MAGNETEK. ANY REPRODUCTION, DISCLOSURE OR USE OF THIS DRAWING IS EXPRESSLY PROHIBITED EXCEPT AS MAGNETEK MAY OTHERWISE AGREE IN WRITING. DO NOT SCALE DRAWING.

DWN BY *Kelvin*
CHK BY
APPR BY *...*

MATERIAL
FINISH
SCALE
DATE 1 22 92

Magnetek

SIZE A DRAWING NO. CMT908-V3

TITLE COMMON MODE FILTER INDUCTOR

JK